

Archgard

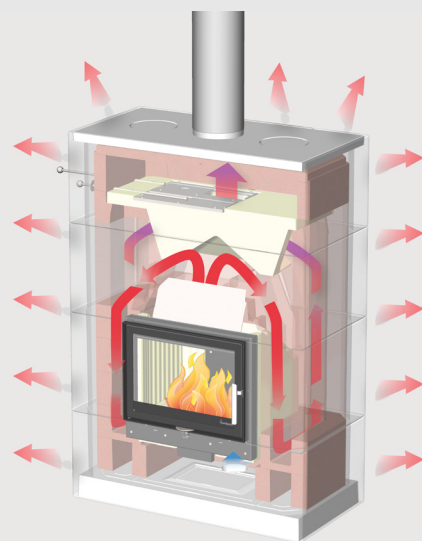
FIREPLACES



SALZBURG XL

Salzburg XL Salzburg XL + 1 & Salzburg XL+2

Conventional masonry wood burning fireplaces tend to consume fuel quickly and provide a very little heat during the cooling period which leads to lower efficiencies and more frequent stoking of fuel. The Salzburg XL heat accumulating fireplace is the latest in combustion technology. It provides optimal combustion with higher efficiency and lower emissions than conventional masonry wood burning fireplaces. With the Salzburg XL you can heat your space with as little as two fuel cycles a day.



The Salzburg XL the largest fireplace in our range. The large size and weight are part of the innovative design to provide the ideal high heat storage capacity.

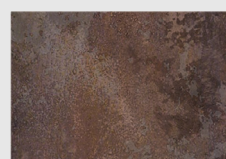


The Salzburg XL delivers radiant heat, warming your home.

FRONTS TRIMS



Diamond Black Tile



Rusty Brown Tile



Black Glass Door Frame

Decor fronts

THE ARCHGARD SALZBURG XL FIREPLACE.

Heat your space quickly as you sit by your cozy, crackling wood fire. Allow the Salzburg XL to continue to provide stored radiant heat for many hours keeping your home and your loved ones warm.

Our exclusive core elements are created from Memory Mass Power Stones that will continue to provide warmth for many hours, after the fire has been reduced to embers. The modular design allows for easy and convenient installation.

With the modular design of the Salzburg XL you can choose from three sizes to create the perfect centerpiece for your home. Choose the Salzburg XL for standard applications or go with the Salzburg XL + 1 to add some height. Complete any room with higher ceilings by choosing the Salzburg XL + 2.



Salzburg XL Dimond Black

Salzburg XL + 1 Rusty Brown

Salzburg XL + 2

Enjoy the efficiency that comes with a Salzburg XL heat accumulating fireplace. Conventional fireplaces produce strong heat while burning but very little during cool-down. The Salzburg XL heat accumulating fireplace produces heat for prolonged periods with a limited time of burning.

Made from a specially formulated concrete exterior, Memory Mass Power Stone heat sync, and Thermotte fire chamber. The specially formulated reinforced concrete exterior allows you to paint with latex, or adhere non-combustable tiles or stone for a custom look to you suit your lifestyle. Thermotte panels line the combustion chamber to provide enhanced efficiency and durability. The Memory Mass Power Stones absorbs heat from the fire and distribute it over time. The Thermotte panels line the firebox to provides higher combustion efficiency and durability.

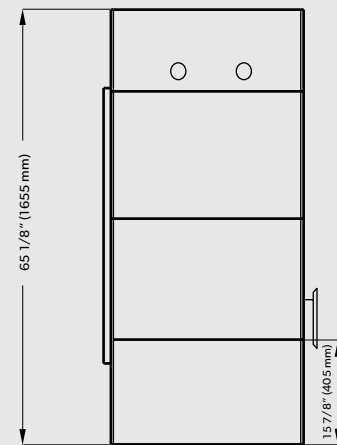
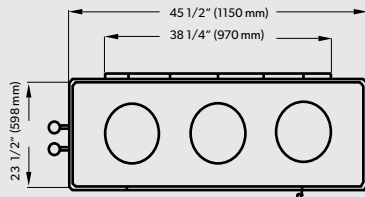
Eliminate smoke in your home and maximize heat absorption with air bypass and damper controls that may be installed to operate from either side of the fireplace.

SPECIFICATIONS

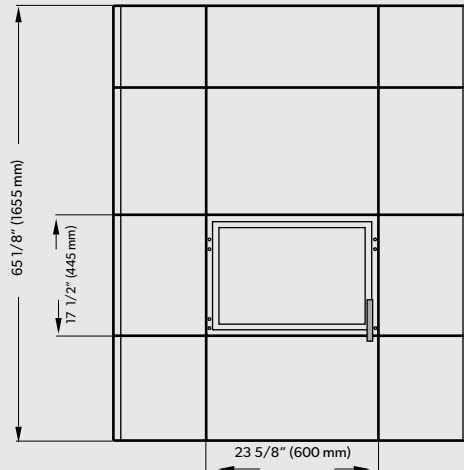
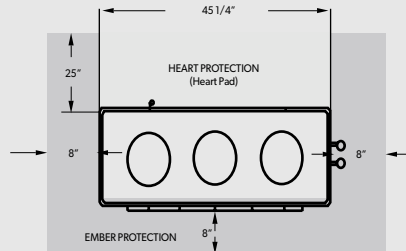
	Salzburg XL	Salzburg XL +1	Salzburg XL +2
BTU's hours	8.8 KW/ 30,000 BTU's	9.7 KW/ 33,000 BTU's	10.6 KW/ 36,000 BTU's
Height	65 1/8" (1655mm)	80 1/8" (2035mm)	95 1/8" (2450mm)
Width	45 1/84" (1150mm)	45 1/84" (1150mm)	45 1/84" (1150mm)
Depth	23 1/2" (598mm)	23 1/2" (598mm)	23 1/2" (598mm)
Weight	1330 kg/ 2,932 lb	1672kg/ 3,686 lb	2014kg/ 4,440 lb
Efficiency	88%	90.0%	92%
Viewing Area	19 3/4" (502mm) W x 13 3/4 (349 mm) H	19 3/4" (502mm) W x 13 3/4 (349 mm) H	19 3/4" (502mm) W x 13 3/4 (349 mm) H

Maximum length of wood logs: 20 inches

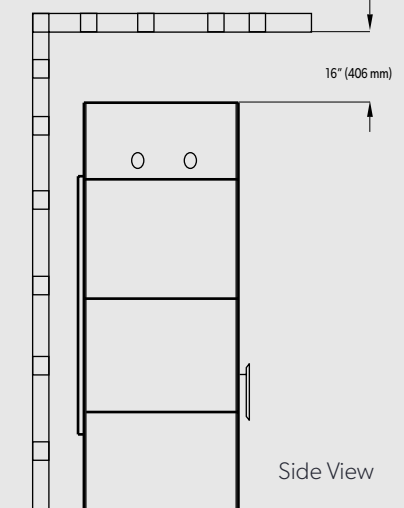
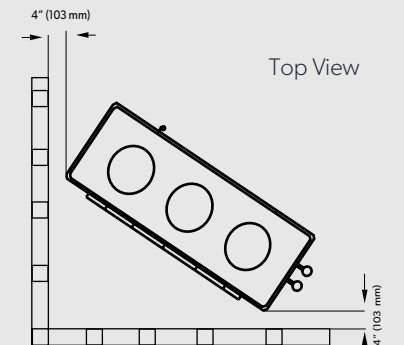
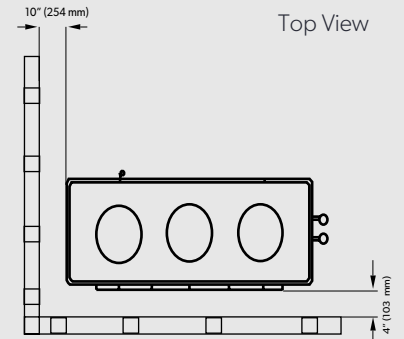
SALZBURG XL DIMENSIONS



FLOOR PROTECTION



SALZBURG XL, XL+1 and XL+2 CLEARANCES



* See the manual for more information.

